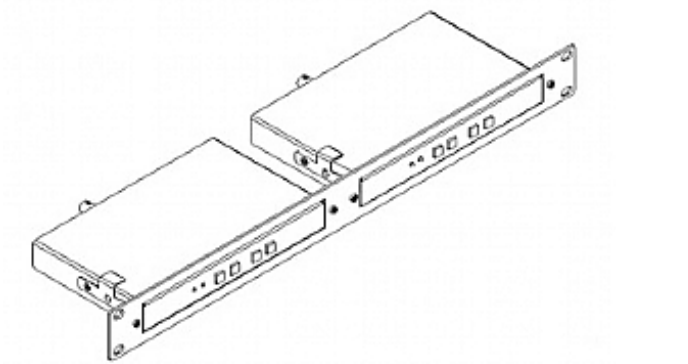




KRAMER

RK-T2B

19-Inch Rack Adapter for MegaTOOLS™



19-inch rack adapter for mounting 2 Kramer MegaTOOLS™ into a 1U rack space.

FEATURES

- **Compatibility** - Models compatible with the RK-T2B are also compatible with racks: RK-T2SB.

TECHNICAL SPECIFICATIONS

PRODUCT DIMENSIONS:	19" x 2.56 x 1U (43.6cm x 6.50cm 4.40cm) W, D, H
PRODUCT WEIGHT:	0.3kg (0.6lbs) approx.
SHIPPING DIMENSIONS:	48.90cm x 9.50cm x 2.30cm (19.25" x 3.74" x 0.91") W, D, H
SHIPPING WEIGHT:	0.5kg (1.1lbs) approx.