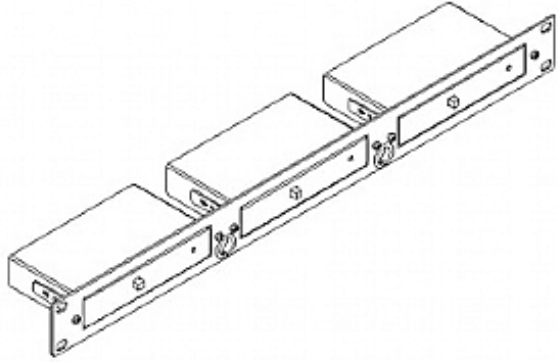




KRAMER

RK-3T

19-Inch Rack Adapter for TOOLS™



19-inch rack adapter for mounting 3 Kramer TOOLS™ into a 1U rack space.

FEATURES

- **Compatibility** - Models compatible with the RK-3T are also compatible with racks: RK-6T, RK-9T, RK-1T2PT, RK-2T1PT & RK-T2SB.

TECHNICAL SPECIFICATIONS

PRODUCT DIMENSIONS:	19" x 1.85 x 1U (43.6cm x 4.70cm 4.40cm) W, D, H
PRODUCT WEIGHT:	0.2kg (0.5lbs) approx.
SHIPPING DIMENSIONS:	0.00cm x 0.00cm x 0.00cm (0.00" x 0.00" x 0.00") W, D, H
SHIPPING WEIGHT:	0.6kg (1.2lbs) approx.