

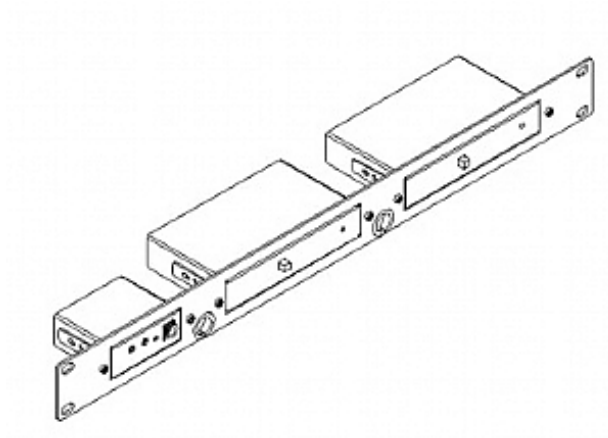


# KRAMER

## RK-2T1PT

19-Inch Rack Adapter for TOOLS™ & Pico TOOLS™

---



19-inch rack adapter for mounting 2 Kramer TOOLS™ and 1 Kramer Pico TOOLS™ into a 1U rack space.

### FEATURES

---

- **Compatibility** - Models compatible with the RK-2T1PT are also compatible with racks: RK-4PT & RK-1T2PT (Pico TOOLS); RK-3T, RK-6T, RK-9T, RK-1T2PT & RK-T2SB (TOOLS).

TECHNICAL SPECIFICATIONS

---

PRODUCT DIMENSIONS:	19" x 1.77 x 1U (43.6cm x 4.50cm 4.40cm) W, D, H
PRODUCT WEIGHT:	0.3kg (0.7lbs) approx.
SHIPPING DIMENSIONS:	49.00cm x 13.20cm x 6.00cm (19.29" x 5.20" x 2.36" ) W, D, H
SHIPPING WEIGHT:	0.6kg (1.2lbs) approx.