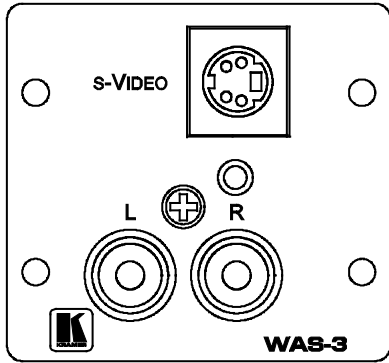


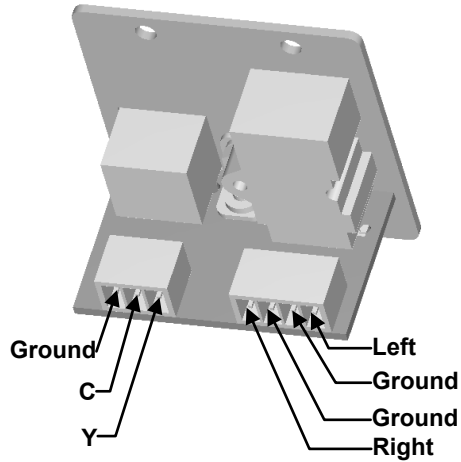
Congratulations on purchasing your Kramer Wall Plate Inserts (each is supplied with the required screws)! They are ideal for the following applications: board, conference and training rooms, presentation systems, and home theater. Each insert can be used with the Kramer WP Frame or with one of our TBUS products.

WAS-3

The **WAS-3** is a dual-insert for s-Video on a 4p connector and unbalanced stereo audio on RCA connectors (white for L and red for R).

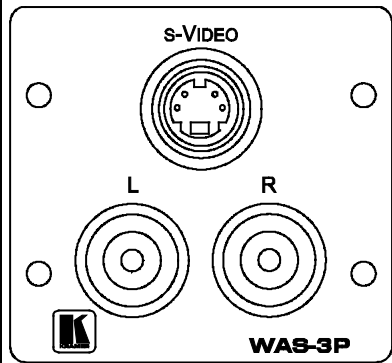


The terminal block PINOUT is as follows:



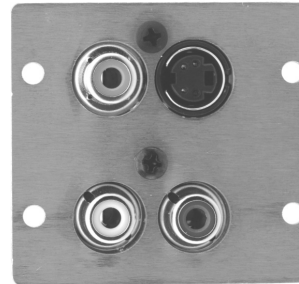
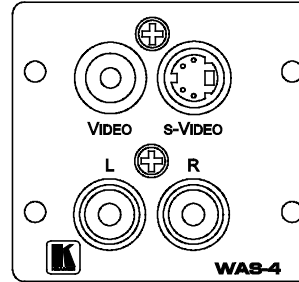
WAS-3P

The **WAS-3P** is a dual-insert with pass through connectors for s-Video on a 4p connector and unbalanced stereo audio on RCA connectors (white for L and red for R):

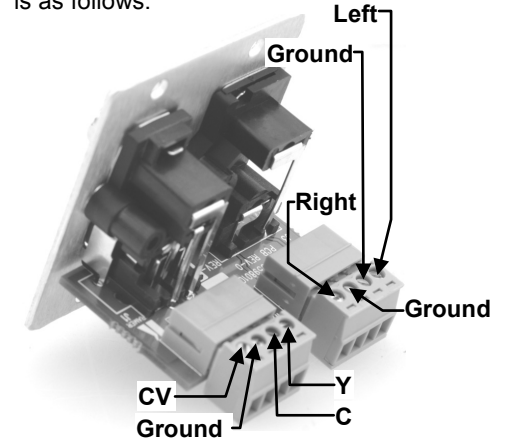


WAS-4

The **WAS-4** is a dual-insert for video (composite or SDI) on a yellow RCA connector, s-Video on a 4p connector, and unbalanced stereo audio on RCA connectors (white for L and red for R).

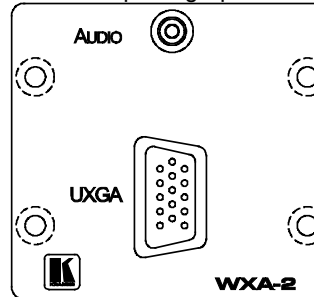


The terminal block PINOUT is as follows:

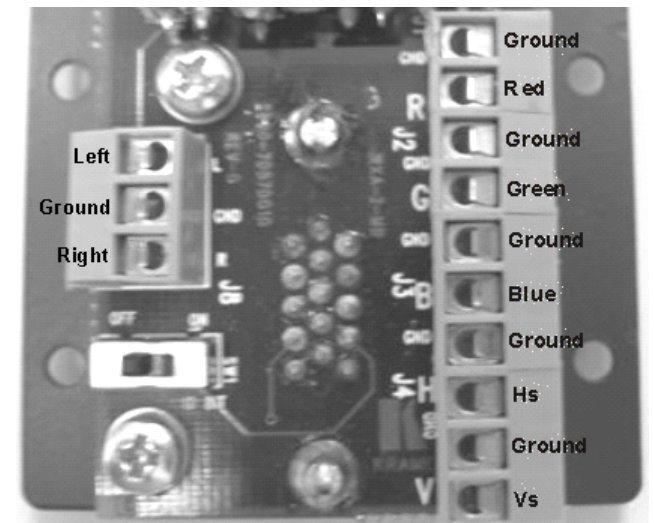


WXA-2

The **WXA-2** is a dual-insert for unbalanced stereo audio on a 3.5mm mini plug connector and UXGA computer graphics on an HD15F connector.

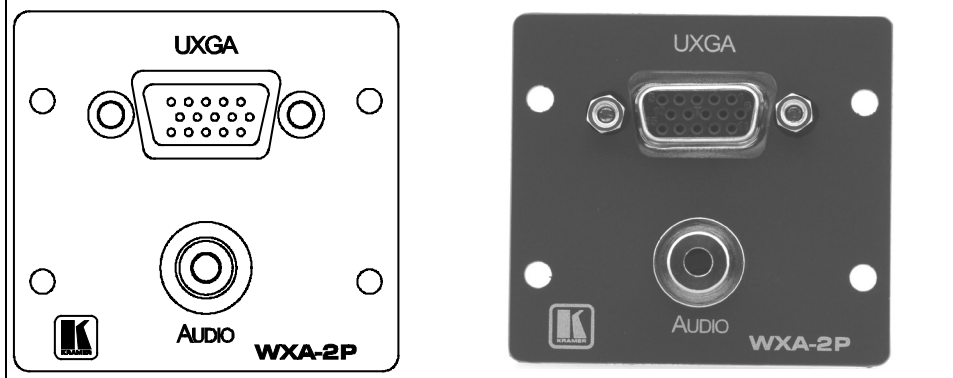


The terminal block PINOUT is as follows:



WXA-2P

The **WXA-2P** is a dual-insert with pass through connectors for UXGA computer graphics on an HD15F connector and unbalanced stereo audio on a 3.5mm mini plug connector:



Wall Plate Inserts Series:

WAS-3, WAS-3P, WAS-4, WXA-2, WXA-2P

For the latest information on our products and a list of Kramer distributors, visit our
Web site: www.kramerelectronics.com



Kramer Electronics, Ltd.
Web site: www.kramerelectronics.com
E-mail: info@kramerel.com
P/N: 2900-000278 REV 2