

## The Kramer SID-DVI DVI Step-In Commander

Congratulations on purchasing your Kramer DigiTOOLS® **SID-DVI DVI Step-In Commander** which is ideal for boardrooms and presentation rooms.

The Kramer **SID-DVI** is a DVI and unbalanced stereo audio remote control commander that is used to remotely take control of a compatible switcher, for example, the **VP-81SID**. The commander is HDCP compliant and does not need a power adapter if located within 50m (164ft) of the switcher.

[Figure 1](#) and [Table 1](#) define the **SID-DVI DVI Step-In Commander**.

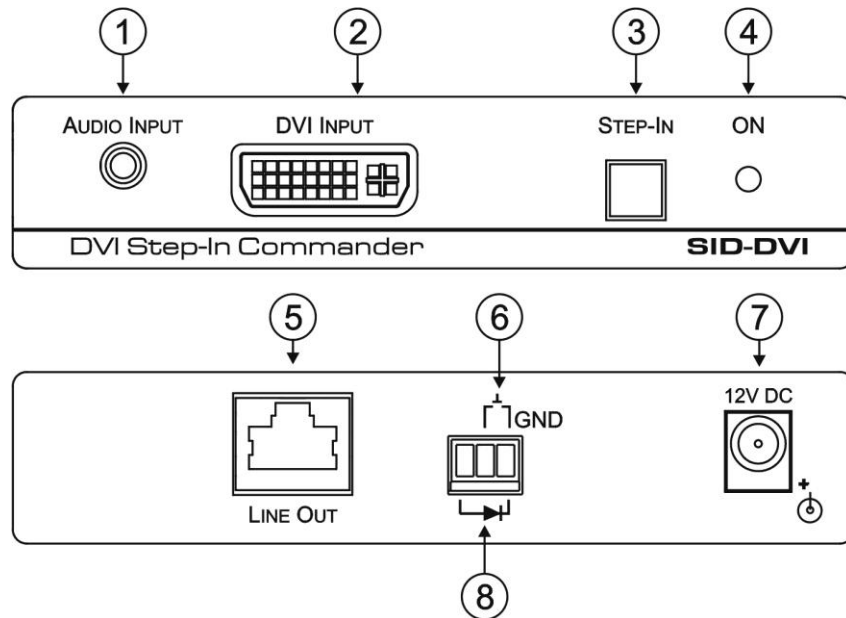


Figure 1: SID-DVI DVI Step-In Commander Front and Rear Panel

Table 1: SID-DVI DVI Step-In Commander Front and Rear Panel Features

#	Feature	Function
1	AUDIO INPUT 3.5mm Mini Jack	Connect to the unbalanced stereo audio source
2	DVI INPUT DVI Connector	Connect to the DVI video source
3	STEP IN Button	Press to switch the input to this remote control commander. The button lights when active
4	ON LED	Lights green when the unit receives power
5	LINE OUT Twisted Pair RJ-45 Connector	Connect to the TP input of a compatible switcher (for example, the VP-81SID) using CAT 6 or higher specification cable
6	Remote Switch Terminal Block Connections (pins 2 and 3)	Connect to the remote step-in switch
7	12V DC Power Connector	Connect to the power adapter
8	Remote LED Terminal Block Connections (pins 1 and 3)	Connect to the remote LED (observe correct polarity, pin 1 to the LED anode and pin 3 to the cathode)

[Figure 2](#) shows the wiring connections of the **SID-DVI**.

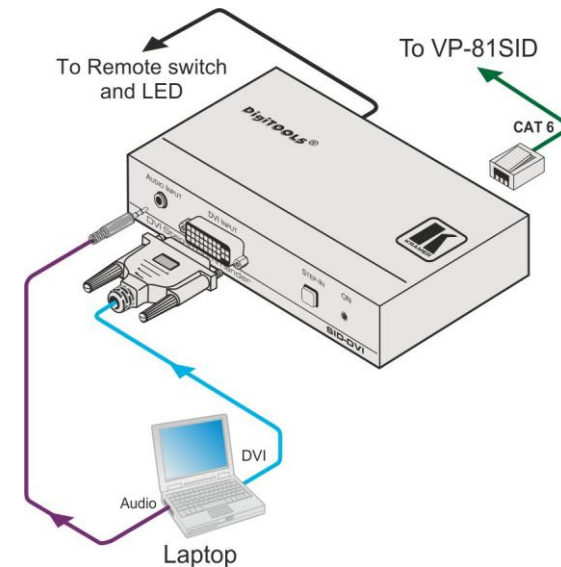


Figure 2: SID-DVI Wiring Connections

To connect the **SID-DVI** as illustrated in [Figure 2](#):

1. Connect the DVI video source (for example, a computer graphics source) to the DVI connector on the front panel of the **SID-DVI**.
2. Connect the unbalanced stereo audio source (for example, a computer graphics source) to the 3.5mm mini jack AUDIO INPUT connector on the front of the **SID-DVI**.
3. Using STP cable, connect the LINE OUT RJ-45 connector on the rear panel of the **SID-DVI** to one of the inputs on the rear panel of the **VP-81SID** (up to 50m away).
4. Optional—Connect the terminal block on the rear of the **SID-DVI** to the remote switch and LED.  
**Note:** The LED supply includes a current limiting resistor and is designed to work with any standard LED.
5. Connect the power adapter to the 12V DC connector on the rear of the **SID-DVI** and to the mains electricity (if the distance exceeds 50m (164ft) from the switcher).

## Technical specifications

Technical specifications of the **SID-DVI** are shown in [Table 2](#).

Table 2: Technical specifications<sup>1</sup> of the SID-DVI DVI Step-In Commander

INPUTS:	Video: DVI-D on a DVI-I connector Audio: 3.5mm mini jack
OUTPUT:	TP on an RJ-45 Ethernet connector
STEP-IN COMMANDER DISTANCE:	50m (164ft)
POWER CONSUMPTION:	12V DC, 230mA
OPERATING TEMPERATURE:	0° to +40°C (32° to 104°F)
STORAGE TEMPERATURE:	-40° to +70°C (-40° to 158°F)
HUMIDITY:	10% to 90%, RHL non-condensing
DIMENSIONS:	12cm x 7cm x 2.4cm (4.7" x 2.76" x 0.94") W, D, H
WEIGHT:	0.3kg (0.66lbs) approx
ACCESSORIES:	Power supply



# SID-DVI DVI Step-In Commander Installation Instructions

---

For the latest information on our products and a list of Kramer distributors, visit our Web site at [www.kramerelectronics.com](http://www.kramerelectronics.com)

---



**Kramer Electronics, Ltd.**

Web site: [www.kramerelectronics.com](http://www.kramerelectronics.com)

E-mail: [info@kramerel.com](mailto:info@kramerel.com)

P/N: 2900-000711 REV 4

---

<sup>1</sup> Product details are subject to change without notice