

The Kramer RC-21TB 2-Button Contact Closure Switch

Congratulations on purchasing your Kramer **RC-21TB** single slot wall plate insert *2-Button Contact Closure Switch* which is ideal for using as a means of remote control in boardrooms and conference rooms. It can be used with the **VP-81SID** step-in switcher or any other Kramer product with contact closure control.

The **RC-21TB** front panel has two momentary switching buttons. On the rear are remote momentary contact closure terminal block connectors that connect to a remote switch terminal block connector. When the button is pressed it lights and the switch is made.

[Figure 1](#) shows the **RC-21TB** front panel and the pinout on the rear:

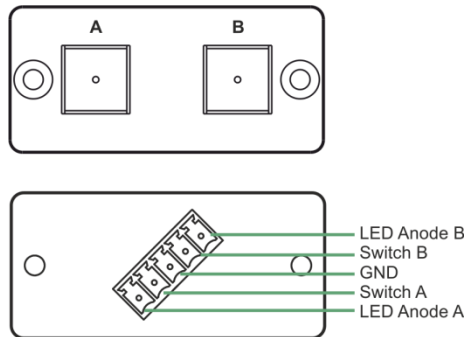


Figure 1: RC-21TB Front Panel and Rear

To install the front panel button labels:

1. Unscrew the two spacers, remove the washers on the rear side of the insert and push out the two studs holding the front panel, see [Figure 2](#).

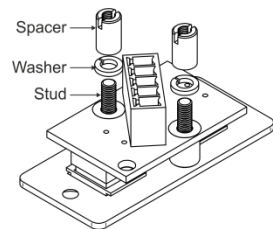


Figure 2: Removing the Front Panel

2. Separate the PC board from the front panel.
3. Remove the required labels from the supplied button label sheet.
4. Hold the button cap so that it is oriented as shown in [Figure 3](#), with the “wings” at the top and lower sides.

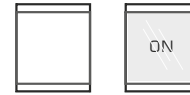


Figure 3: Button Orientation

5. Insert the label (properly oriented) inside the cap.
6. Retaining the orientation, place the button cap with the label over the buttons, see [Figure 4](#).

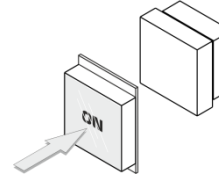


Figure 4: Placing the Button Cap

7. Place the front plate over the buttons.
8. Reassemble the PC board

Note: Center the buttons in the opening before tightening the studs to prevent the buttons from sticking during reassembly.

9. Insert the studs through the front panel. On the rear side of the insert place the washers and then the spacers and tighten.

The **RC-21TB** can remotely switch the inputs of a machine via its remote contact closure terminal blocks.

In the example illustrated in [Figure 5](#) two **SID-H HDMI Step In Commander** units are connected to **RC-21TB**.

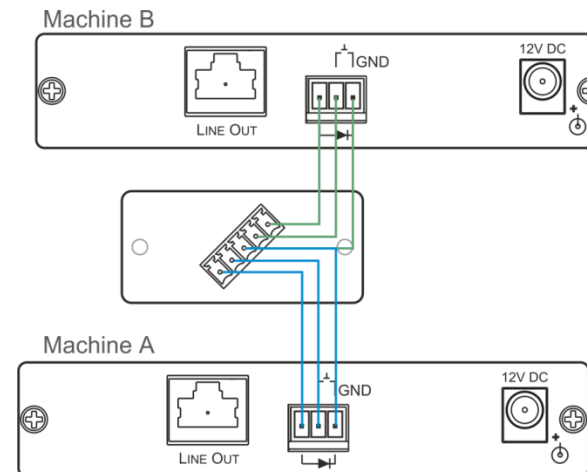


Figure 5: RC-21TB connected to two SID-H Units

To connect the **RC-21TB**, as illustrated in the example in [Figure 5](#) and [Figure 6](#):

1. Connect the remote terminal block connectors on each SID-H machine to the A and B terminal block connectors of the **RC-21TB**.
2. Mount the **RC-21TB** in a single slot of a wall plate frame or a TBUS inner Frame.

Momentarily pressing button A or B on the **RC-21TB** activates the STEP-IN process (allowing this machine's input to be selected on the **VP-81SID**) in Machine A or Machine B, respectively.

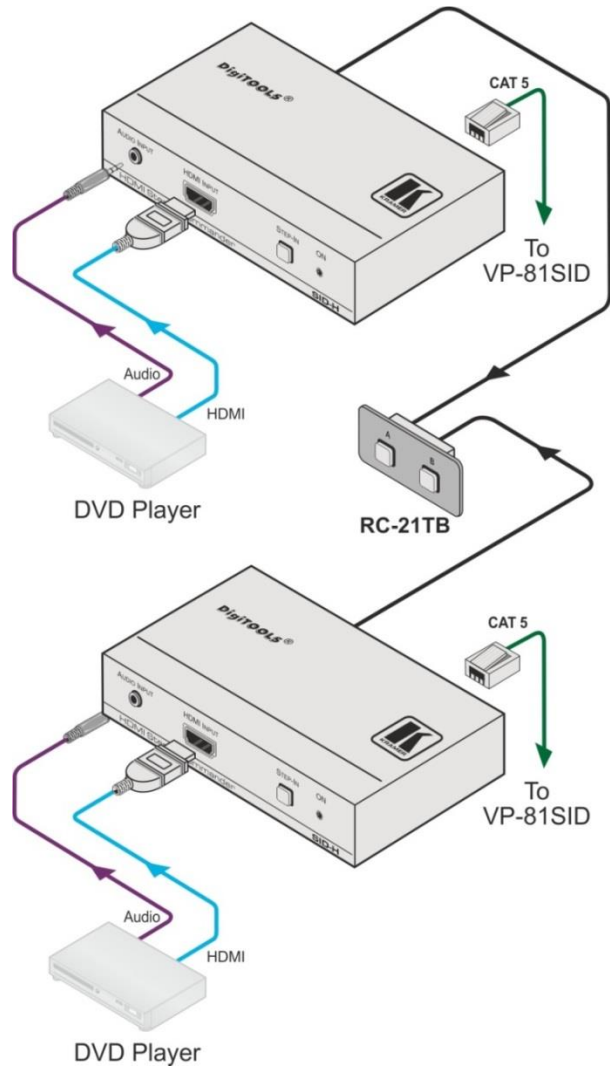


Figure 6: Connecting the: RC-21TB



KRAMER ELECTRONICS LTD.

User Manual

MODEL:

RC-21TB 2-Button Contact Closure Switch

For the latest information on our products and a list of Kramer distributors, visit our Web site where updates to this user manual may be found.

We welcome your questions, comments, and feedback.

Web site: www.kramerelectronics.com

E-mail: info@kramerel.com



SAFETY WARNING
Disconnect the unit from the power supply before opening and servicing

P/N: 2900-300297 Rev 3



P/N: 2900-300297



Rev: 3