



Scan for full manual

VM-2D Quick Start Guide

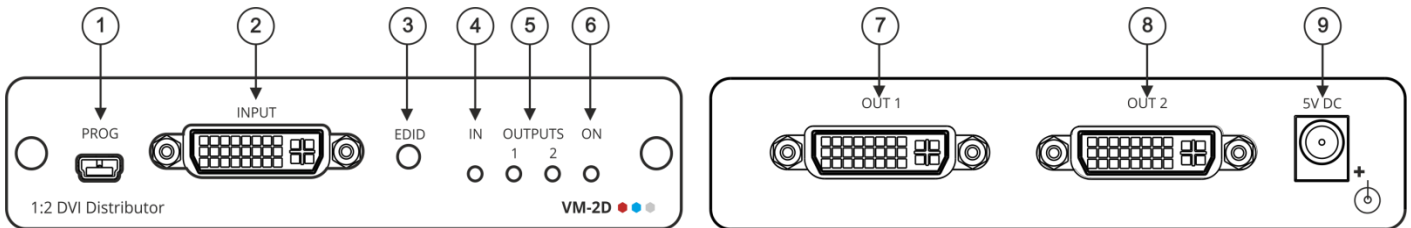
This guide helps you install and use your **VM-2D** for the first time.

Go to www.kramerav.com/downloads/VM-2D to download the latest user manual and check if firmware upgrades are available.

Step 1: Check what's in the box

- ✓ **VM-2D** 1:2 DVI Distributor
- ✓ 4 Rubber feet
- ✓ 1 Bracket set
- ✓ 1 Power adapter and cord
- ✓ 1 Quick start guide

Step 2: Get to know your VM-2D

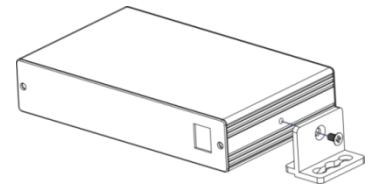


#	Feature	Function
1	PROG Mini USB Connector	Connect to a PC to upgrade the firmware (via K-Upload).
2	DVI-I Connector	Connect to a DVI source.
3	EDID Button	Press to read the EDID
4	IN LED	Lights green when an active input signal is detected
5	OUTPUT LEDs (1 to 2)	Lights green when an output device is detected
6	ON LED	Lights green when the device receives power
7	OUT 1 DVI-I Connector	Connect to a DVI acceptor.
8	OUT 2 DVI-I Connector	Connect to a DVI acceptor.
9	5V DC Power Connector	5V DC connector for powering the unit.

Step 3: Install the VM-2D

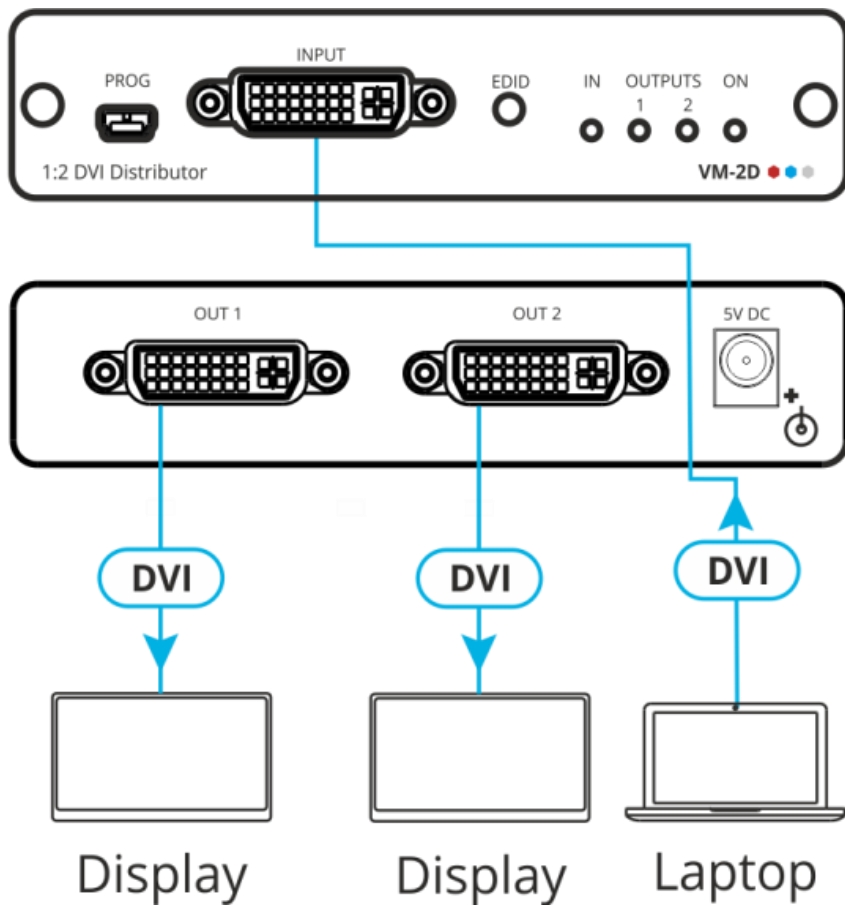
Install **VM-2D** using one of the following methods:

- Attach the rubber feet and place the unit on a flat surface.
- Fasten a bracket (included) on each side of the unit and attach it to a flat surface.
For more information go to www.kramerav.com/downloads/VM-2D.
- Mount the unit in a rack using an optional **RK-3T** rack adapter.



Step 4: Connect the inputs and outputs

Always switch OFF the power on each device before connecting it to your **VM-2D**. For best results, we recommend that you always use Kramer high-performance cables to connect AV equipment to the **VM-2D**.



Step 5: Connect the power

Connect the power adapter to the **VM-2D** and plug the adapter into the mains electricity.

Safety Instructions



- Caution:** There are no operator serviceable parts inside the unit
 - Warning:** Use only the Kramer Electronics power supply that is provided with the unit
 - Warning:** Disconnect the power and unplug the unit from the wall before installing
- See www.KramerAV.com for updated safety information.