



Scan for full manual

FC-17 Quick Start Guide

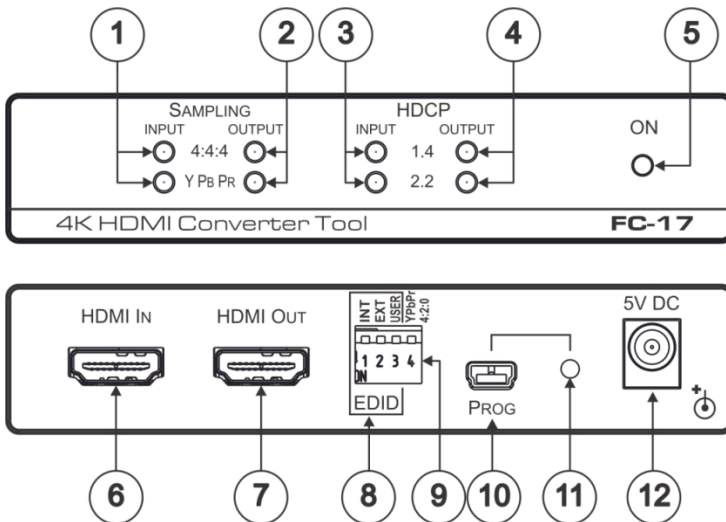
This guide helps you install and use your **FC-17** for the first time.

Go to www.kramerav.com/downloads/FC-17 to download the latest user manual and check if firmware upgrades are available.

Step 1: Check what's in the box

- ✓ **FC-17** 4K HDMI Converter Tool
 - ✓ 4 Rubber feet
- ✓ 1 Power supply (5V DC)
 - ✓ 1 Quick start guide
- ✓ TOOL Mounting bracket kit

Step 2: Get to know your FC-17

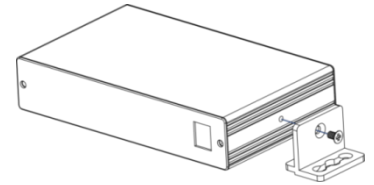


#	Feature	Function
1	SAMPLING INPUT LEDs	Indicate the input chroma sub-sampling and color space
2	SAMPLING OUTPUT LEDs	Indicate the output chroma sub-sampling and color space
3	HDCP INPUT LEDs	Indicate the input HDCP standard
4	HDCP OUTPUT LEDs	Indicate the output HDCP standard
5	ON LED	Lights green when the unit is powered on; changes to red to indicate that a successful USB LINK is established via the EDID Manager software
6	HDMI IN Connector	Connect to an HDMI source
7	HDMI OUT Connector	Connect to the HDMI acceptor
8	EDID DIP-Switches	DIP 1 (INT): When ON (down), the source sees the internal default EDID DIP 2 (EXT): When ON (down), the source reads the EDID of the acceptor that is connected to the HDMI output DIP 3 (USER): When ON (down), the source reads a user-defined EDID Note: For normal operation, only one EDID DIP-switch should be set to ON (down)
9	YPbPr/420 DIP-Switch	When ON: 4K50/60 YPbPr 4:4:4 signals are converted to 4:2:0 4K50/60 RGB signals are converted to YPbPr 4:2:0 Resolutions other than those above are bypassed
10	PROG USB Port	Connect to a PC for programming use with the application software and for firmware upgrade.
11	Recessed Pushbutton	Use for the upgrade process
12	5V DC	+5V DC connector for powering the unit

Step 3: Install the FC-17

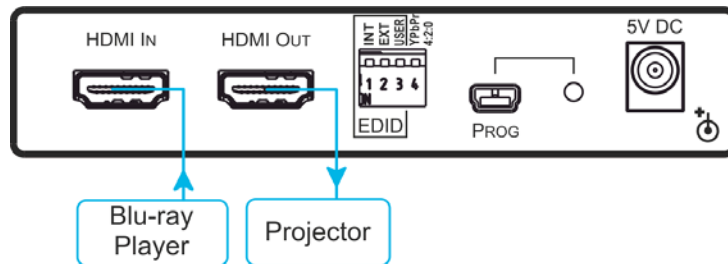
Install **FC-17** using one of the following methods:

- Attach the rubber feet and place the unit on a flat surface.
- Fasten a bracket (included) on each side of the unit and attach it to a flat surface. For more information go to www.kramerav.com/downloads/FC-17.
- Mount the unit in a rack using an optional **RK-3T** rack adapter.



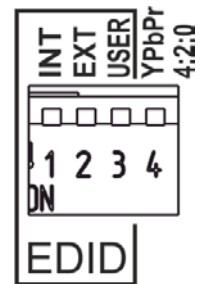
Step 4: Connect the inputs and outputs

Always switch OFF the power on each device before connecting it to your **FC-17**. For best results, we recommend that you always use Kramer high-performance cables to connect AV equipment to the **FC-17**.



Set the DIP-switches:

DIP-Switch #	Description
EDID	DIP 1 (INT) When set to ON (down), the source sees the built-in default EDID
	DIP 2 (EXT) When set to ON (down), the source sees the EDID of the sink connected to the output
	DIP 3 (USER) When set to ON (down), the source sees the EDID programmed by the user
	Note: For normal operation, set only one of the above three EDID DIP-switches to ON (down)
Sampling	DIP 4 (YPbPr, 4:2:0) When set to ON (down): 4K50/60 YPbPr 4:4:4 and 4K50/60 RGB signals are converted to YPbPr 4:2:0; other resolutions are bypassed. When set to OFF (up): The signal is always bypassed



Step 5: Connect the power

Connect the 5V DC power adapter to the power socket and then connect the adapter to the mains electricity.

Safety Instructions



- Caution:** There are no operator serviceable parts inside the unit.
- Warning:** Use only the Kramer Electronics power supply that is provided with the unit.
- Warning:** Disconnect the power and unplug the unit from the wall before installing. See www.kramerav.com for updated safety information.

Step 6: Manage the EDID

The EDID is managed via the EDID DIP-switches and the EDID management software.

After downloading the EDID Manager software, connect the USB port from the **FC-17** to your PC and manage the EDID via the software:



Set the acceptor EDID as the User EDID via the DIP-switches:

1. Disconnect the power.
2. Connect the acceptor to the **FC-17**'s output.
3. Set DIP 1, DIP 2 and DIP 3 to ON.
4. Connect the power. All the LEDs flash briefly.
5. Disconnect the power, and set one of the INT, EXT or USER DIP-switches to ON, as desired.
6. Connect the power.