



Scan for full manual

DIP-31M Quick Start Guide

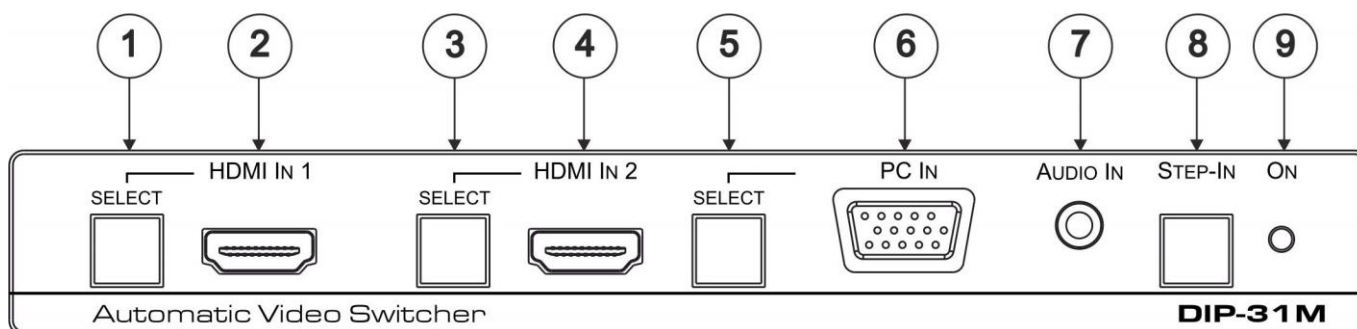
This guide helps you install and use your **DIP-31M** for the first time.

Go to www.kramerav.com/downloads/DIP-31M to download the latest user manual and check if firmware upgrades are available.

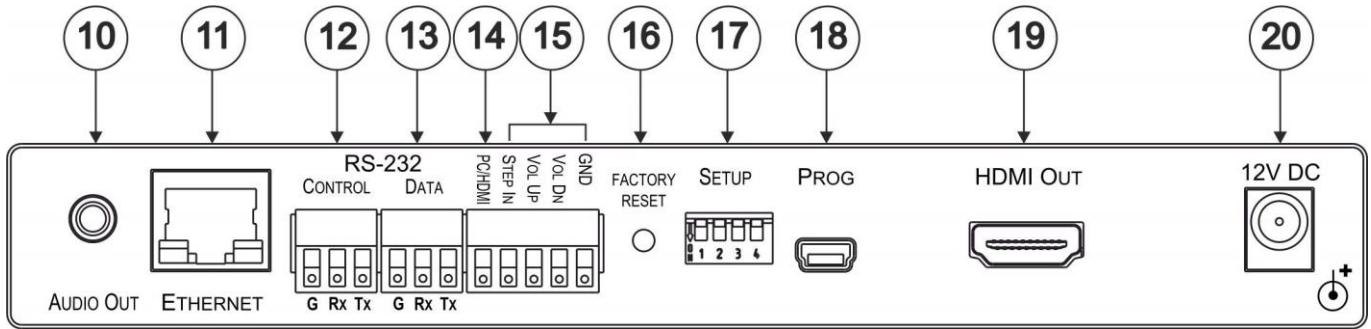
Step 1: Check what's in the box

- ✓ **DIP-31M** Automatic Video Switcher
- ✓ 1 Power supply (12V DC)
- ✓ 4 Rubber feet
- ✓ 1 Quick start guide
- ✓ ADC-DPM/HF DisplayPort (M) to HDMI (F) adapter cable

Step 2: Get to know your DIP-31M



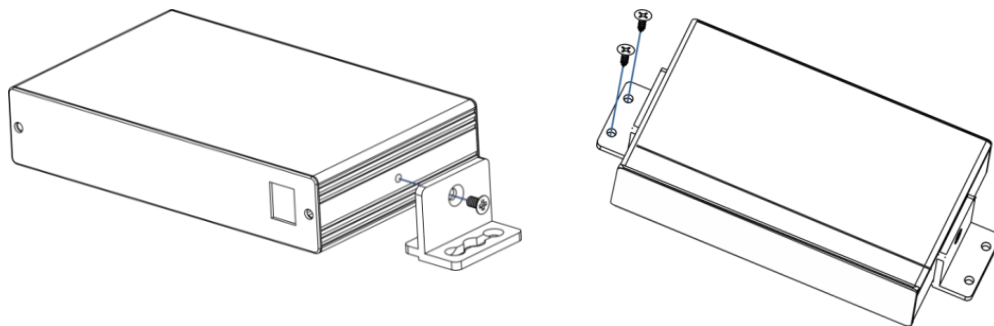
#	Feature	Function
1	HDMI IN 1	SELECT Button Press to select the HDMI IN 1 input. When HDMI IN 1 is selected, the button lights and indicates the selected audio (see Step 5): Red – External audio from the analog Audio IN is selected Green – Embedded audio from HDMI IN 1 is selected
2		HDMI 1 Connector Connects to the first HDMI source
3	HDMI IN 2	SELECT Button Press to select the HDMI IN 2 input. When HDMI IN 2 is selected, the button lights and indicates the selected audio (see Step 5): Red – External audio from the analog Audio IN is selected Green – Embedded audio from HDMI IN 2 is selected
4		HDMI 2 Connector Connects to the second HDMI source
5	PC IN	SELECT Button Press to select the VGA input. When PC IN is selected, the button lights and indicates the selected audio (see Step 5): Red – External audio from the analog Audio IN is selected Green – No audio is selected
6		PC Graphics 15-pin HD Connector Connects to the VGA source, (for example, a laptop)
7	AUDIO IN 3.5mm Mini Jack Connects to the unbalanced, stereo audio source, (for example, the audio output of the laptop)	
8	STEP-IN Button Press to take control of the input that this device is connected to on a compatible switcher	
9	ON LED Lights green when the device is powered on	



#	Feature	Function
10	AUDIO OUT 3.5mm Mini Jack	Connect to the unbalanced, stereo audio acceptor, (for example, active speakers)
11	ETHERNET RJ-45 Connector	Connect to the LAN, (Ethernet traffic or PC controller)
12	RS-232 CONTROL 3-pin Terminal Block	Connect to a serial controller or PC
13	RS-232 DATA 3-pin Terminal Block	Connect to a serial data source or acceptor
14	PC/HDMI Remote Toggle Switch Terminal Block	Connect to a remote switch to toggle between the HDMI and VGA inputs. Each press cycles through the priority inputs HDMI IN 1 → HDMI IN 2 → PC IN or a different priority cycle specified on the Video & Audio Settings Web page
15	Remote Contact-closure 4-pin Terminal Block	Connect to remote momentary switches to control step-in and audio volume
16	FACTORY RESET Button	Short press to reboot, long press to reset the device to factory default parameters
17	SETUP 4-way DIP-switch	Switches for setting the device behavior (see Step 5)
18	PROG Mini USB Connector	Connect to a PC to perform a firmware upgrade
19	HDMI OUT Connector	Connect to a compatible HDMI display
20	12V DC Connector	Connect to the supplied power adapter

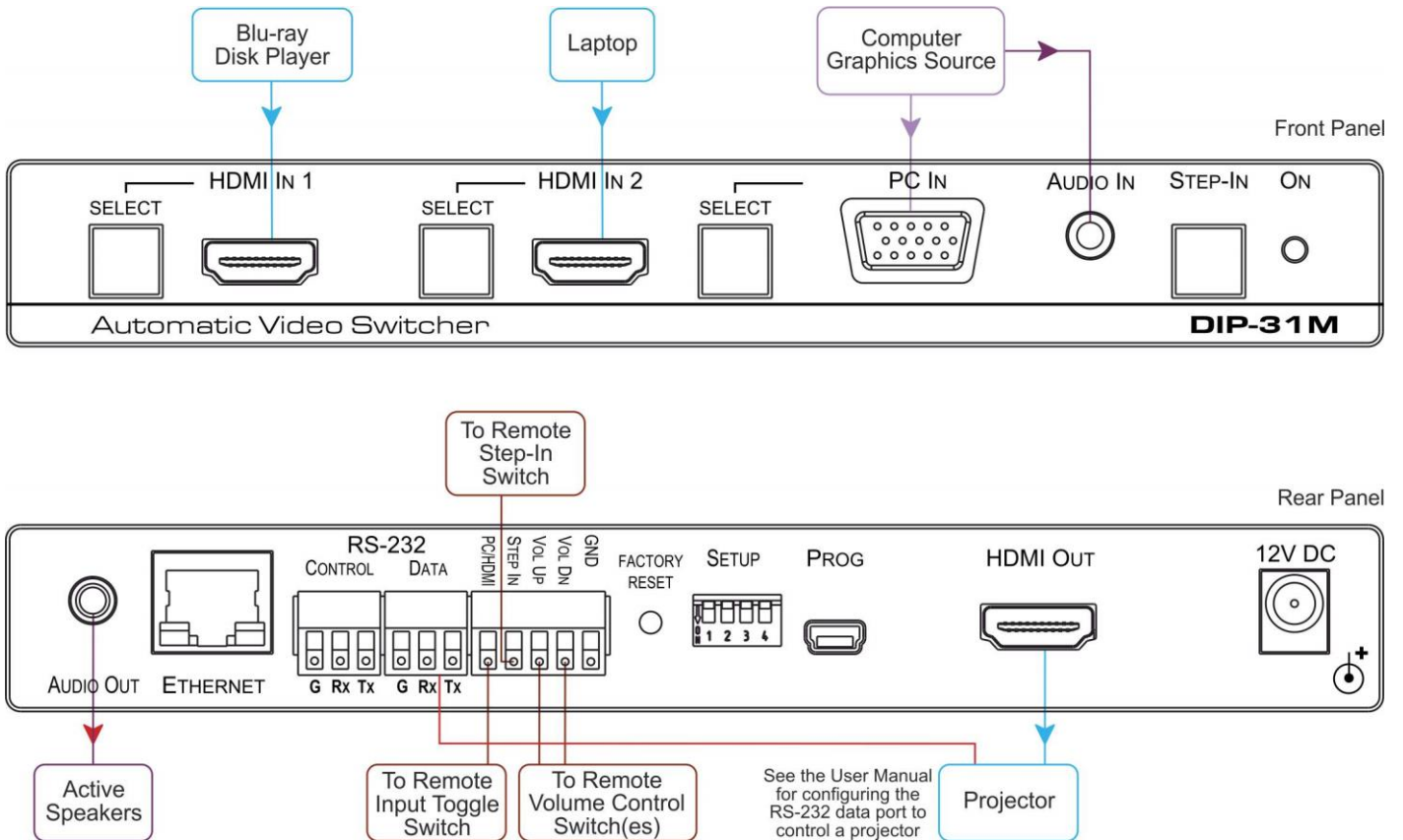
Step 3: Install the DIP-31M

Attach the rubber feet and place on a table or mount the **DIP-31M** in a rack (using an optional **RK-T2B** rack mount). A Kramer TOOLS™ can also be mounted on a desk top, wall or similar area. Fasten a bracket on each side of the TOOLS using the two M3x8 screws (supplied). Use the flat-head screws (supplied) to fix the TOOLS to the mounting surface or enable it to slide in place.



Step 4: Connect the inputs and outputs

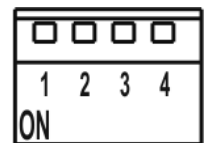
Always switch OFF the power on each device before connecting it to your **DIP-31M**. For best results, we recommend that you always use Kramer high-performance cables to connect AV equipment to the **DIP-31M**.



Step 5: Set the DIP-switches

Video Switching Selection

DIP-switch 1	DIP-switch 2	Video Input Selection
Off (up)	Off (up)	Automatic—Last connected. The last source connected to the unit is routed to the output
Off (up)	On (down)	Automatic—Priority selection. HDMI IN 1 → HDMI IN 2 → PC IN (default, high to low priority) Different priority cycles can be specified using the Video & Audio Settings Web page
On (down)	Off (up)	Manual
On (down)	On (down)	Manual



Audio Switching Selection

DIP-switch 3	DIP-switch 4	Audio Input Selection
Off (up)	Off (up)	Automatic—Priority selection. Embedded HDMI → analog Audio IN (high to low priority)
Off (up)	On (down)	Automatic—Priority selection. Analog Audio IN → embedded HDMI (high to low priority)
On (down)	Off (up)	Embedded HDMI
On (down)	On (down)	Analog Audio IN

Step 6: Connect the power

Connect the 12V DC power adapter to the **DIP-31M** and plug it into the mains electricity.

Step 7: Operate the DIP-31M

To operate and control the DIP-31M use:

Front Panel

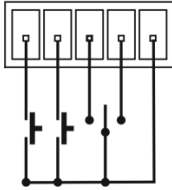
Buttons

- HDMI IN 1 Select
- HDMI IN 2 Select
- PC IN Select
- STEP-IN

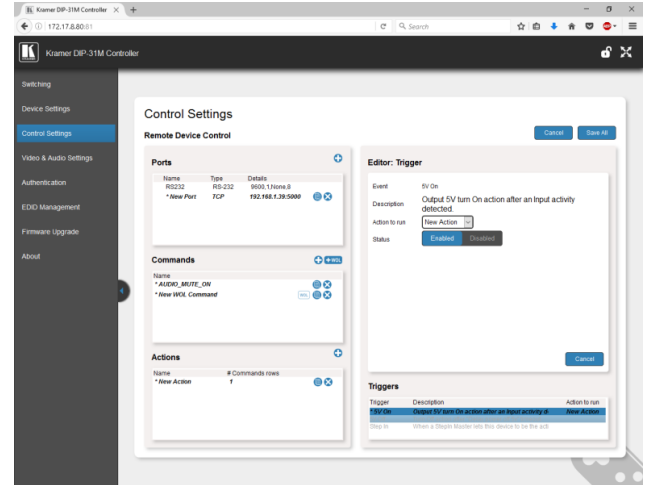
Remote Control Switches

PC/HDMI—input selection/VGA phase shift adjustment	Short press—Input toggle Long press—Adjusts the VGA phase shift)
STEP IN	Activates the step-in function if relevant
VOL UP—analog audio output volume increase control	Short press—Increases the volume one step Long press—Increases the volume from 0% to 100% in 10 seconds
VOL DN—analog audio output volume decrease control	Short press—Decreases the volume one step Long press—Decreases the volume from 100% to 0% in 10 seconds
GND	Connect to the common side of the switches

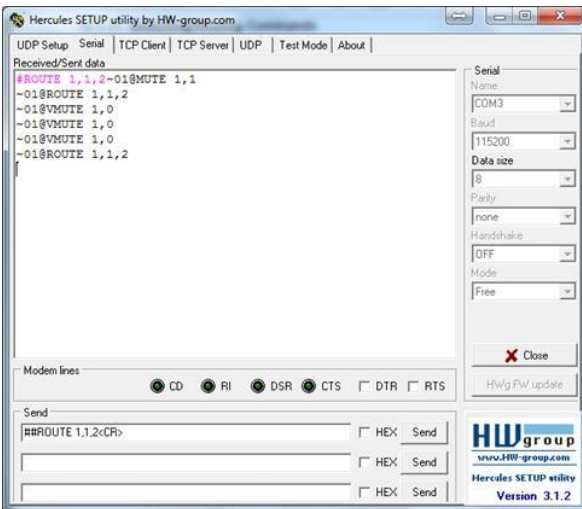
PC/HDMI
STEP IN
VOL UP
VOL DN
GND



Web Pages from IP 192.168.1.39



Protocol 3000



Remote Device Control

RS-232 Configuration

Parity: NONE
 Data bits: 8
 Baud rate: 9600
 Stops bits: 1

Remote Device commands configuration

Enabled	Edit	Test	Trigger	Description	Delay	Command
<input checked="" type="checkbox"/>			5V On	power on	2	turn on device
<input type="checkbox"/>			5V Off	power off	30	turn off device

CANCEL APPLY